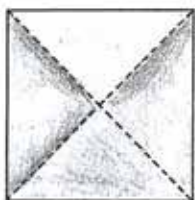
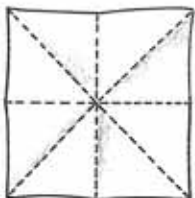


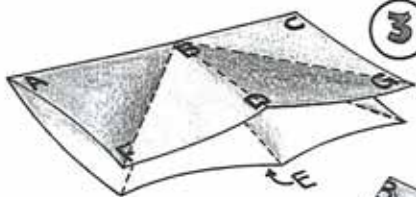
# FOLDING A PAPER CRANE



① Start with a true square of paper—any size. Making sharp creases, fold the paper diagonally. Unfold. Fold on the other diagonal. Unfold. **TURN THE PAPER OVER.**

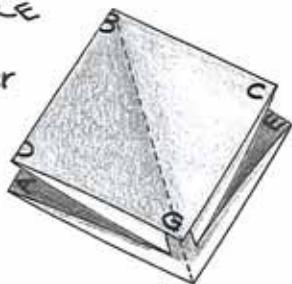


② Fold the paper in half vertically. Unfold. Fold the paper in half horizontally.

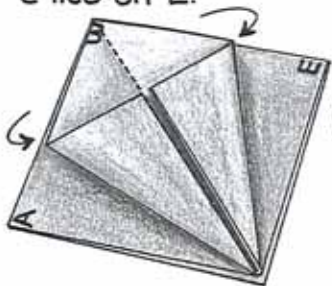


③ Write the letters as shown.

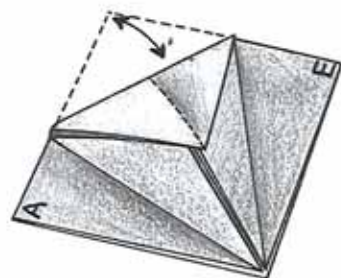
Gently push the paper to shape 4, so that G meets F, D lies on A, and C lies on E.



④

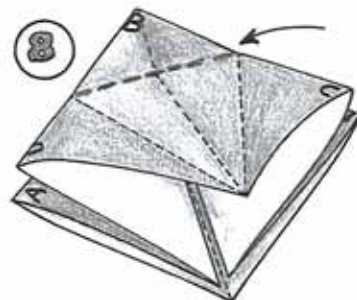


⑤ **TOP FLAPS ONLY:** Fold the outer edges to the centre line.



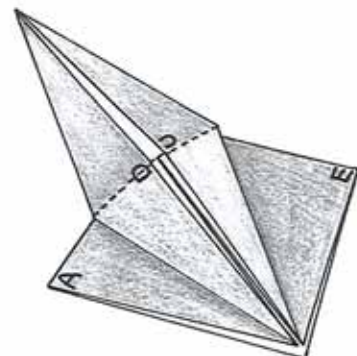
⑥ Fold the top triangle down, crease it firmly, then fold it up again.

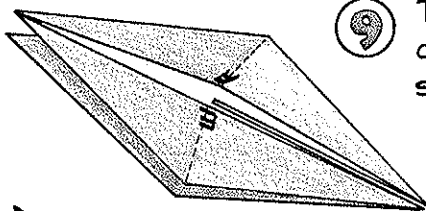
⑦ Turn the model over and repeat steps 5 and 6. Unfold back to shape 4. Then turn the model over again, so that you can see the letters.



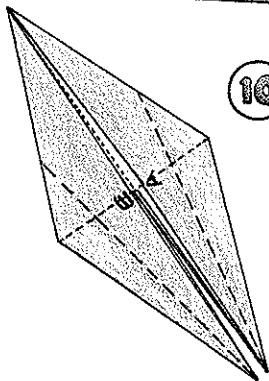
Picking up the top layer only, lift and fold on the red dotted line.

The outer edges of the paper will meet in the centre.

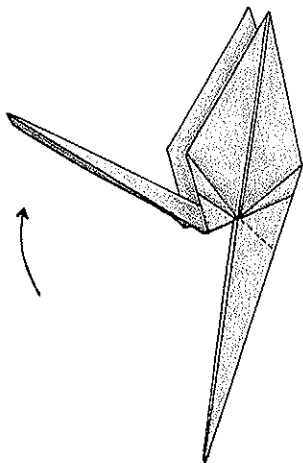
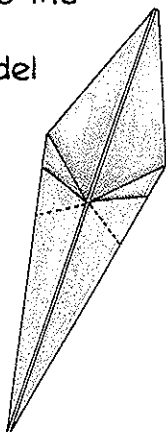




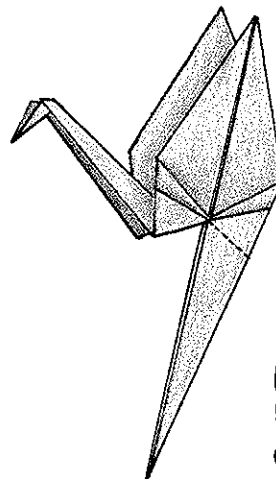
9 Turn the model over and repeat on the other side. Flatten the model to a diamond shape.



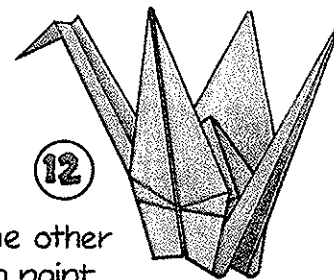
10 Fold the outer edges of the top layer to the centre again. Turn the model over and repeat on the other side.



11 Fold one bottom point gently upwards so that it tucks between the two top wings.



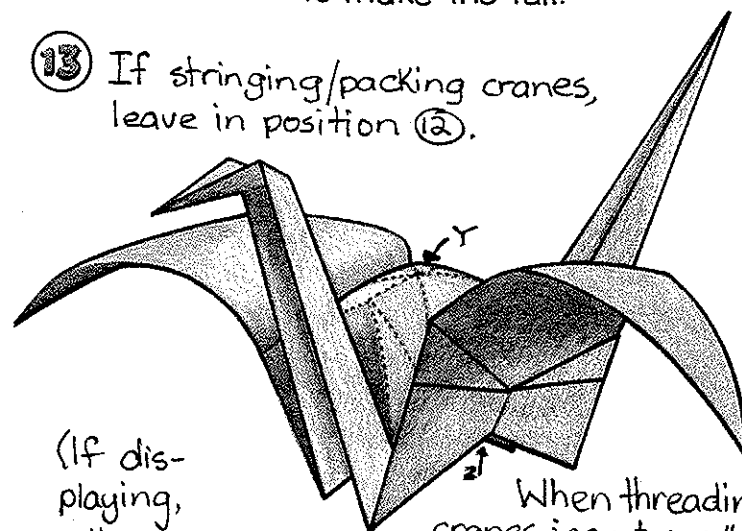
Make a little fold for the head.



12

Fold the other bottom point upwards in the same way, to make the tail.

13 If stringing/packing cranes, leave in position 12.



(If displaying, pull crane wings gently apart.

When threading cranes, insert needle at Z, exit at Y.